

UltraHorn™ CC 5-24

ULTIMATE NOISE-REJECTING DIRECTIONAL HORN ANTENNA WITH CARRIER CLASS PERFORMANCE

The UltraHorn™ CC 5-24 is a horn antenna with high gain, high directivity, and symmetrical radiation pattern. Symmetrical beam with equal horizontal and vertical beam widths, combined with zero side lobes, offers impeccable performance in terms of interference rejection. No need to spend extra money for radomes, shrouds, or any other additional shielding.

UltraHorn™ CC 5-24 Antenna is suitable for point-to-point links in high noise areas. Thanks to the unique radiation characteristics, UltraHorn™ CC 5-24 delivers excellent performance as narrow beam sector antenna, offering versatile tool for precise network planning. UltraHorn™ CC 5-24 is dual polarization antenna system (H+V) equipped with two N-female connectors.



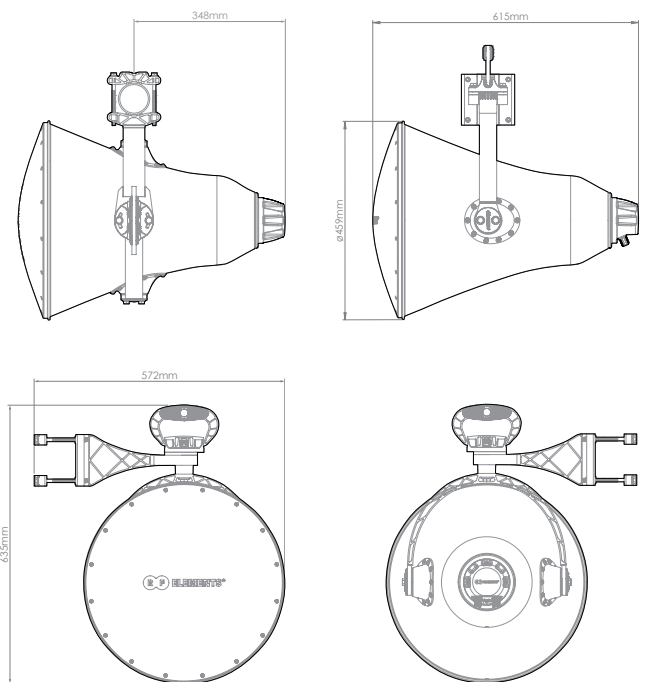
TECHNICAL DATA

Antenna Connection	2x N Female Bulkhead Connector
Antenna Type	Horn
Materials	UV Resistant ABS Plastic, Polycarbonate, Polypropylene, Aluminium, Stainless Steel
Environmental	IP55
Pole Mounting Diameter	30-80 mm (we recommend as close to 80mm as possible)
Temperature	-30°C to +55°C (-22°F to +131°F)
Wind Survival	160 km/hour
Wind Loading	197 N at 160 km/hour
Mechanical Adjustment	± 25° Elevation, ± 25° Azimuth
Weight	8.7 Kg / 19.1 lbs – single unit 9.7 Kg / 21.4 lbs – single unit incl. package
Single Unit	Retail Box: 570 x 570 x 660 mm / 22.4 x 22.4 x 26 inch

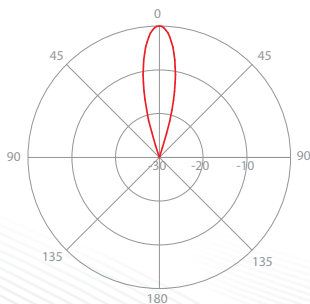
PERFORMANCE

Frequency Range	5180 - 6400 MHz
Gain	24 dBi
Azimuth/Elevation BW -3 dB	H 11° / V 11°
Azimuth/Elevation BW -6 dB	H 16° / V 15°
Polarization	Dual Linear H + V
Front-to-Back Ratio	40 dB
Beam Efficiency**	99%
VSWR Max 5180-5850 MHz	1.6
VSWR Max 5850-6400 MHz	1.8

PRODUCT DIMENSIONS



AZIMUTH PATTERN



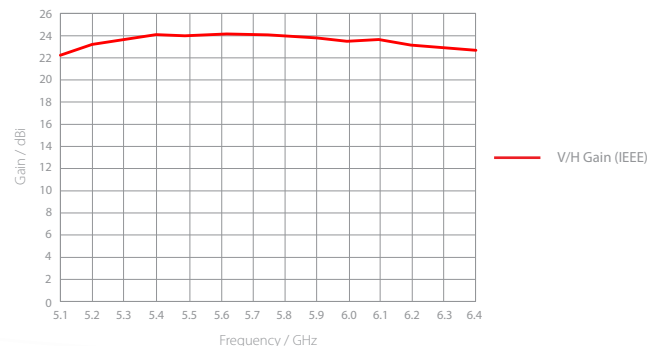
V/H - Port Pattern Azimuth 5.6 GHz

ELEVATION PATTERN



V/H - Port Pattern Elevation 5.6 GHz

GAIN



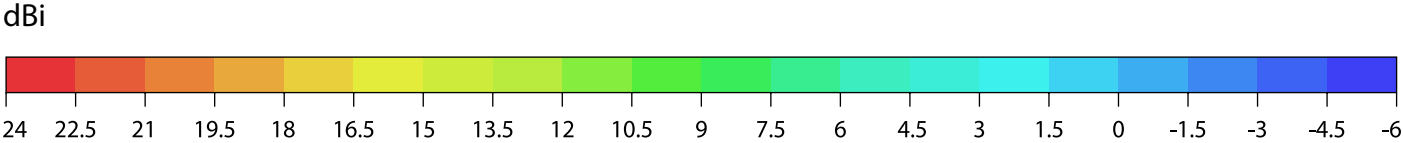
**Beam efficiency defined up to first-null

1/2 UltraHorn™ CC 5-24 Rev-OCT 2019

RF elements®, UltraHorn™ CC are trademarks of RF elements s.r.o., Humenne, Slovakia. All rights of respective trademark owners reserved. © RF elements 2019

3D RADIATION DIAGRAM

SCALE: 30dBi
COMPATIBLE WITH: ADOBE ACROBAT READER DC. NOT SUPPORTED ON MOBILE.
USE MOUSE TO ROTATE THE DIAGRAM. SCROLL IN/OUT TO ZOOM IN/OUT



FRONT	BACK	RIGHT	LEFT	UP	DOWN
-------	------	-------	------	----	------