

## Passive POE Inserters / Splitters

### Features

- Shielded CAT5e cable and connectors for added protection against surges and interference
- Cat5 rated RJ45 jack for more reliable high speed data connections (10/100MB)
- Shrouded DC jack for improved safety

### Applications

- Wireless Access Points and Client Devices
- IP Phone and Security Camera Systems



POE-INJ-LED-S

### Description

The **POE-INJ-S** and **POE-YINJ-S** are low cost Power Over Ethernet (POE) Inserters to insert POE power to a CAT5 Ethernet data cable on the unused Ethernet pins 4,5(+) and 7,8(-).

The unique **POE-INJ-LED-S** has power on and current indicator LED's. The Power LED shows that DC power (12V to 24V) is being supplied to the inserter through the DC jack. The Current LED shows that a POE device is plugged in at the end of the CAT5 Ethernet cable up to 100m (330ft) away from the inserter.

The **POE-SPLT-S** accepts POE power on the RJ45 jack and splits the DC Power to a DC connector and data to the RJ45 Plug. Useful for devices that are powered via a DC power jack.

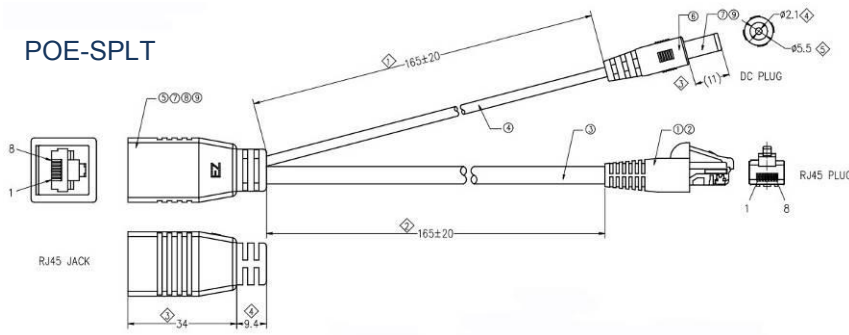
The **POE-YSPLT-S** accepts POE power on the RJ45 Jack and provides power on the DC connect and provides power and data on the RJ45 Plug. Useful for powering multiple devices from a single POE source.

The unique **POE-XOVER-S** converts the output from a standard polarity POE source to a reverse voltage output. Pins 4,5(-) and 7,8(+). Useful for devices that require a reverse POE voltage such as Canopy. Works with standard POE Switches, POE inserters (including POE-INJ-S and POE-INJ-LED-S) and POE midspan devices.

### Specifications

<b>Materials</b>	UL Rated Materials, Meets RoHS Requirements
<b>Voltage Rating</b>	60VDC Maximum
<b>RJ45 Jack</b>	Shielded CAT5 Rated, Gold Plated Contacts
<b>RJ45 Power Pins</b>	4,5(+) 7,8(-)
<b>DC Jack or Plug</b>	5.5 x 2.1mm, Shrouded
<b>DC Wire Size</b>	28AWG x 4
<b>CAT5 Wire Size</b>	24AWG x 8, Shielded
<b>Cable Length</b>	165mm (6.5")
<b>Total Length</b>	254mm (10")
<b>Weight</b>	31 g (1.1 oz)
<b>Operating Temp</b>	-40°C to 80°C (-40°F to 176°F)

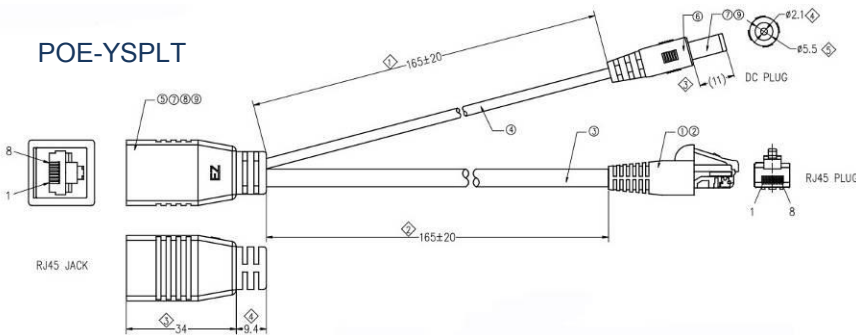
## POE-SPLT



WIRING

DC PLUG	RJ45 JACK	RJ45 PLUG
	PIN1 WHITE/ORANGE(CAT 5 CABLE)	PIN1
	PIN2 ORANGE (CAT 5 CABLE)	PIN2
	PIN3 WHITE/GREEN(CAT 5 CABLE)	PIN3
CENTER PIN ← RED(28AWG*4C CABLE)	PIN4 NC	PIN4 BLUE (CAT 5 CABLE)
← BLACK (28AWG*4C CABLE)	PIN5 NC	PIN5 WHITE/BLUE (CAT 5 CABLE)
	PIN6 GREEN (CAT 5 CABLE)	PIN6
	PIN7 NC	PIN7 WHITE/BROWN (CAT 5 CABLE)
SHELL ← GREEN(28AWG*4C CABLE)	PIN8 NC	PIN8 BROWN (CAT 5 CABLE)
← WHITE(28AWG*4C CABLE)		

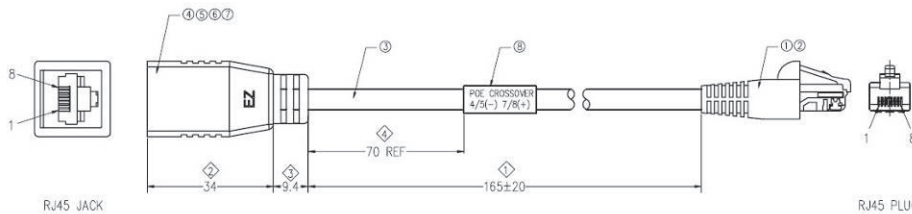
## POE-YSPLT



WIRING

DC PLUG	RJ45 JACK	RJ45 PLUG
	PIN1 WHITE/ORANGE(CAT 5 CABLE)	PIN1
	PIN2 ORANGE (CAT 5 CABLE)	PIN2
	PIN3 WHITE/GREEN(CAT 5 CABLE)	PIN3
CENTER PIN ← RED(28AWG*4C CABLE)	PIN4 BLUE (CAT 5 CABLE)	PIN4
← BLACK (28AWG*4C CABLE)	PIN5 WHITE/BLUE (CAT 5 CABLE)	PIN5
	PIN6 GREEN (CAT 5 CABLE)	PIN6
	PIN7 WHITE/BROWN (CAT 5 CABLE)	PIN7
SHELL ← GREEN(28AWG*4C CABLE)	PIN8 BROWN (CAT 5 CABLE)	PIN8
← WHITE(28AWG*4C CABLE)		

## POE-XOVER



RJ45 JACK	RJ45 PLUG
PIN1 WHITE/ORANGE	PIN1
PIN2 ORANGE	PIN2
PIN3 WHITE/GREEN	PIN3
PIN4 BLUE	PIN7
PIN5 WHITE/BLUE	PIN8
PIN6 GREEN	PIN6
PIN7 WHITE/BROWN	PIN4
PIN8 BROWN	PIN5

### Notes:

All shipments F.O.B. Bluffdale, UT 84065  
 Tycon Power Systems Passive POE carry a 2 year warranty

## System Ordering:

- |                         |   |
|-------------------------|---|
| <i>POE -INJ -LE D-S</i> | Passive 12V-24V POE Injector with Power On and Current Indicator LEDS                 |
| <i>POE -INJ -S</i>      | Passive POE Injector, puts power on RJ45 Female pins 4,5,7,8                          |
| <i>POE -YINJ -S</i>     | Passive POE Injector, puts power on both RJ45 Female and Male on pins 4,5,7,8.        |
| <i>POE -SPLT -S</i>     | Passive Splitter – 5.5/2.1mm DC Plug  |
| <i>POE -YSPLT -S</i>    | Passive Y* Splitter – 5.5/2.1mm DC Plug (*Power is supplied on both RJ45 and DC Plug) |
| <i>POE -XOVER -S</i>    | POE Voltage Crossover - converts standard POE voltage to reverse voltage output.      |



(888) 604-5234  
 www.streakwave.com