

1.71 to 2.7 GHz, 3.3 to 3.6 GHz, 4-port WISP Panel Antenna, 13 and 14 dBi, 33-degree, 4 N-type female, +/- 45 dual Polarization

KP-23SX4-40



Features

- 1710 to 2700 MHz and 3300 to 3600 MHz, 14 dBi gain
- 33 deg. beamwidth sector antenna
- 4 x N-type female connector
- Weather proof - UV resistant PVC radome
- Dual slant polarization (+/- 45 deg.)
- VSWR < 2:1
- 100 W max input power per port

Applications

- Point to point data links (PtP)
- Point to multi-point data links (PtMP)
- 2x2, 4x4 MIMO capability
- WLAN, Wi-Fi 2.4 GHz, Wireless networks
- DAS, CBRS and 3 GHz WISP
- Smart cities expansion for coverage and IOT / IIOT
- 5G bands - n1, n2, n3, n7, n25, n30, n34, n39, n40, n41, n65, n66, n78, n80, n84, n86, n95, n97, n98, n101
- 4G LTE bands - B1, B2, B3, B4, B7, B25,B30, B33, B34, B37, B38, B39,B40, B41, B42, B65, B66, B69, B70

Description

The KP performance KP-23SX4-40 is a 1.71 GHz to 2.7 GHz, 3.3 GHz to 3.6 GHz WISP panel antenna that is used for WLAN, PtP, PtMP, 2x2 and 4x4 MIMO capability, 2.4 GHz Wi-Fi, wireless networks, DAS, CBRS, 3 GHz WISP and smart cities expansion for coverage. This flat panel antenna features a pole mount, +/- 45 dual polarization and is rugged and weatherproof. The wireless internet service provider antenna has a 33-degree beam width and a gain of 13 and 14 dBi.

The panel antenna from KP Performance is also used as a client-side antenna, instead of a reflector dish due to its high gain and moderate beam width for its relatively small size. This 4-port WISP antenna includes a 4 N-type female connectors, which make 2 x 2 and 4 x 4 MIMO configurations possible for high speeds or multiple technology deployments. The gain of the KP-23SX4-40 dual-band antenna is 13 dBi for the frequency range of 1.71 GHz to 2.7 GHz and 14 dBi for the frequency range of 3.3 GHz to 3.6 GHz.

The 4-port flat panel antenna comes equipped with die-cast aluminum brackets that afford +/- 45 dual degree polarization and stainless steel hardware that assures a long service life. KP Performance antennas are often used for cellular or mobile base stations or wireless networking due to their size and directional properties. This KP-23SX4-40 WISP panel antenna is ideal for IOT, IIOT and various 5G and 4G LTE bands.

The KP performance has the largest in-stock collection of 4-port WISP panel antennas for your critical equipment and power sources. Quickly make your online purchase right now to take advantage of our same-day shipping. For further information on similar products, our expert technical support and knowledgeable sales team can help you get the 1.71 GHz to 2.7 GHz, 3.3 GHz to 3.6 GHz WISP panel antenna as per your requirements.

Configuration

Design	Panel
Band Type	Multi
Radiation Pattern	Directional
Polarization	45 Deg. Slant
Connector Type	N Female
Number of Ports	4
Lightning Protection	DC Grounded

Electrical Specifications

Description	Minimum	Typical	Maximum	Units
-------------	---------	---------	---------	-------

Click the following link (or enter part number in "SEARCH" on website) to obtain additional part information including price, inventory and certifications: [1.71 to 2.7 GHz, 3.3 to 3.6 GHz, 4-port WISP Panel Antenna, 13 and 14 dBi, 33-degree, 4 N-type female, +/- 45 dual Polarization KP-23SX4-40](#)

1.71 to 2.7 GHz, 3.3 to 3.6 GHz, 4-port WISP
 Panel Antenna, 13 and 14 dBi, 33-degree,
 4 N-type female, +/- 45 dual Polarization



KP-23SX4-40

Frequency Range	1,710	3,600	MHz
Impedance	50		Ohms
Input Power		100	Watts

Specifications by Band

Description	Band 1	Band 2	Band 3	Band 4	Band 5	Units
Range	1.71 to 2.7	3.3 to 3.6				GHz
Gain	13	14				dBi
Horizontal HPBW	33	34				Degrees
Vertical HPBW	34	34				Degrees
Port to Port Isolation	27	33				dB
Front to Back Ratio	27	28				dB
VSWR Max	2:1	1.7:1				

Mechanical Specifications

Radome Material	PVC
Size	
Length	11.02 in [279.91 mm]
Width	3.15 in [80.01 mm]
Height	11.02 in [279.91 mm]
Mounting Mast Diameter	1.1811 to 2.3622 in [30.00 to 60.00 mm]
Weight	7.55 lbs [3.42 kg]

Environmental Specifications

Temperature	
Operating Range	-40 to +60 deg C
Wind Survivability	134.216 MPH [216 KPH]
Wind Loading	

Plotted and Other Data

Notes:

Click the following link (or enter part number in "SEARCH" on website) to obtain additional part information including price, inventory and certifications:
[1.71 to 2.7 GHz, 3.3 to 3.6 GHz, 4-port WISP Panel Antenna, 13 and 14 dBi, 33-degree, 4 N-type female, +/- 45 dual Polarization KP-23SX4-40](#)

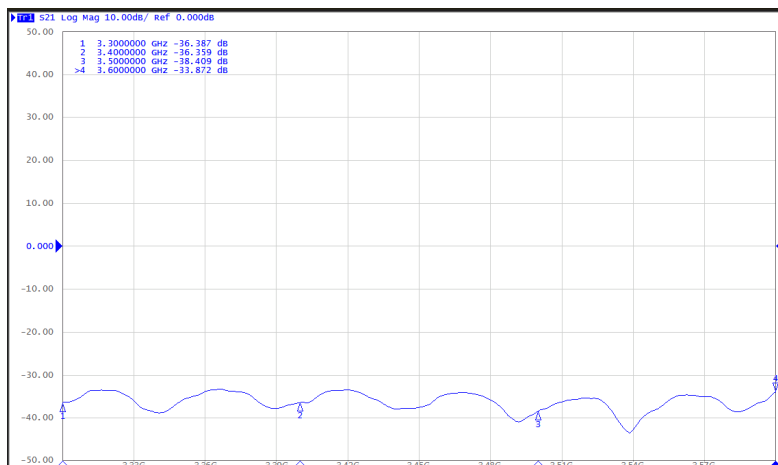
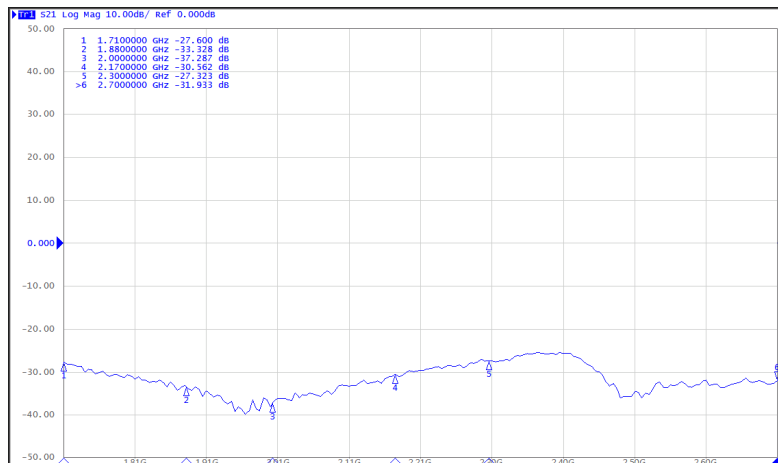
1.71 to 2.7 GHz, 3.3 to 3.6 GHz, 4-port WISP
 Panel Antenna, 13 and 14 dBi, 33-degree,
 4 N-type female, +/- 45 dual Polarization

KP-23SX4-40



Typical Radiation Pattern

Isolation:



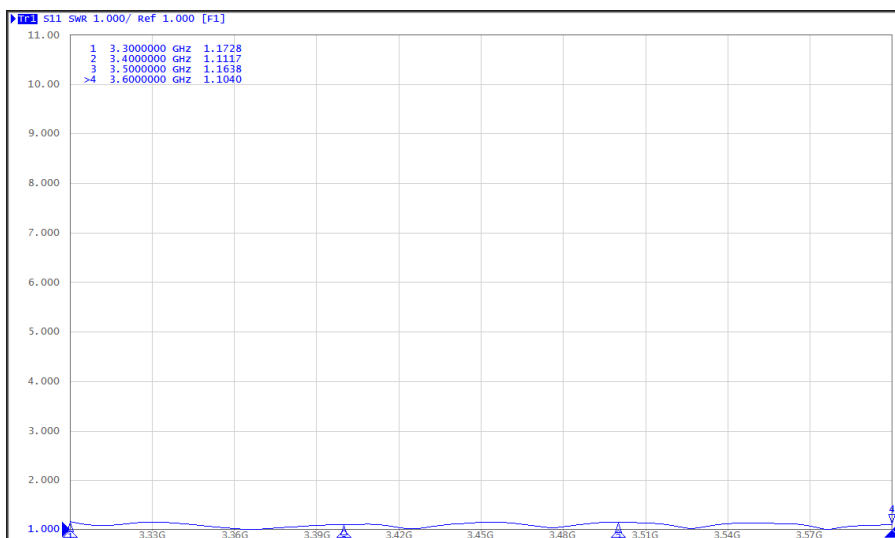
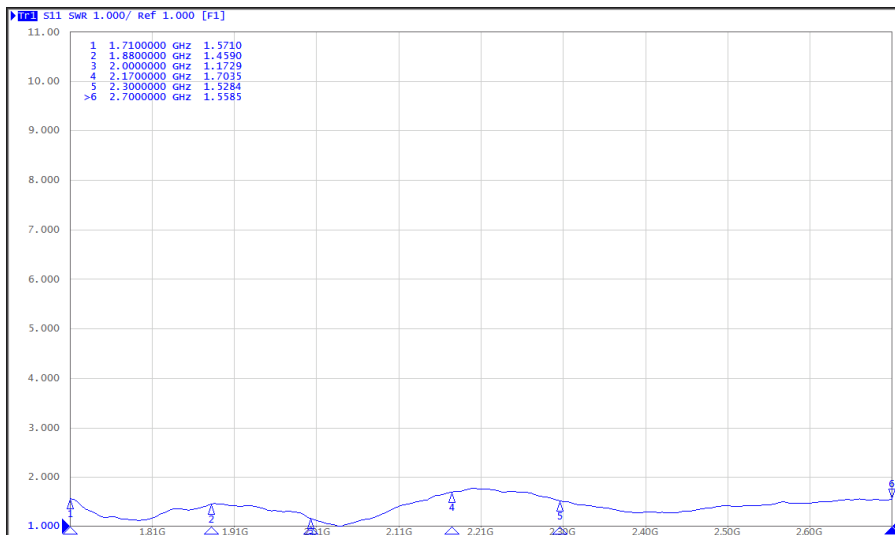
Click the following link (or enter part number in "SEARCH" on website) to obtain additional part information including price, inventory and certifications:
[1.71 to 2.7 GHz, 3.3 to 3.6 GHz, 4-port WISP Panel Antenna, 13 and 14 dBi, 33-degree, 4 N-type female, +/- 45 dual Polarization KP-23SX4-40](#)

1.71 to 2.7 GHz, 3.3 to 3.6 GHz, 4-port WISP
 Panel Antenna, 13 and 14 dBi, 33-degree,
 4 N-type female, +/- 45 dual Polarization

KP-23SX4-40



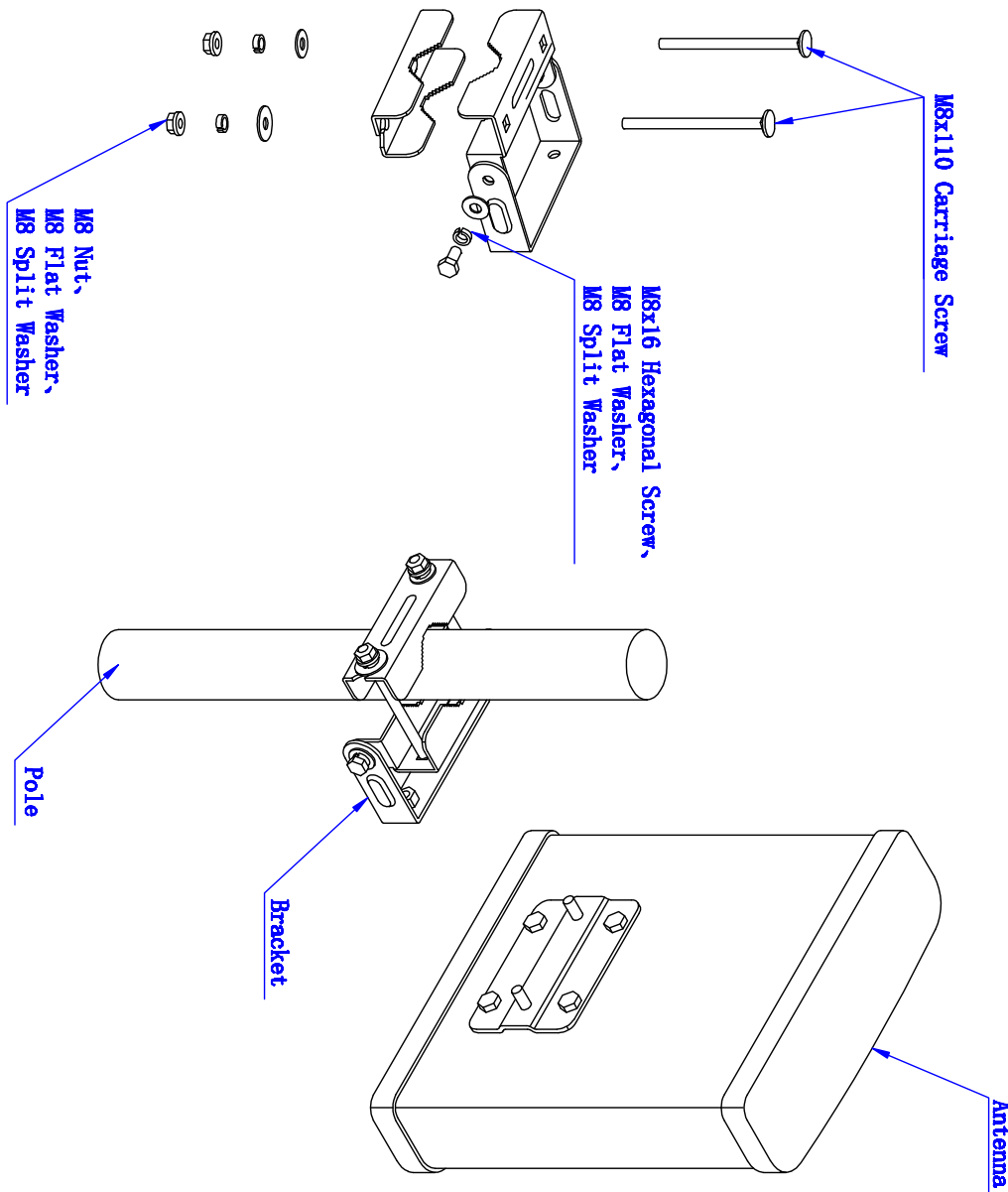
VSWR:



Click the following link (or enter part number in "SEARCH" on website) to obtain additional part information including price, inventory and certifications:
[1.71 to 2.7 GHz, 3.3 to 3.6 GHz, 4-port WISP Panel Antenna, 13 and 14 dBi, 33-degree, 4 N-type female, +/- 45 dual Polarization KP-23SX4-40](#)

1.71 to 2.7 GHz, 3.3 to 3.6 GHz, 4-port WISP
 Panel Antenna, 13 and 14 dBi, 33-degree,
 4 N-type female, +/- 45 dual Polarization

KP-23SX4-40



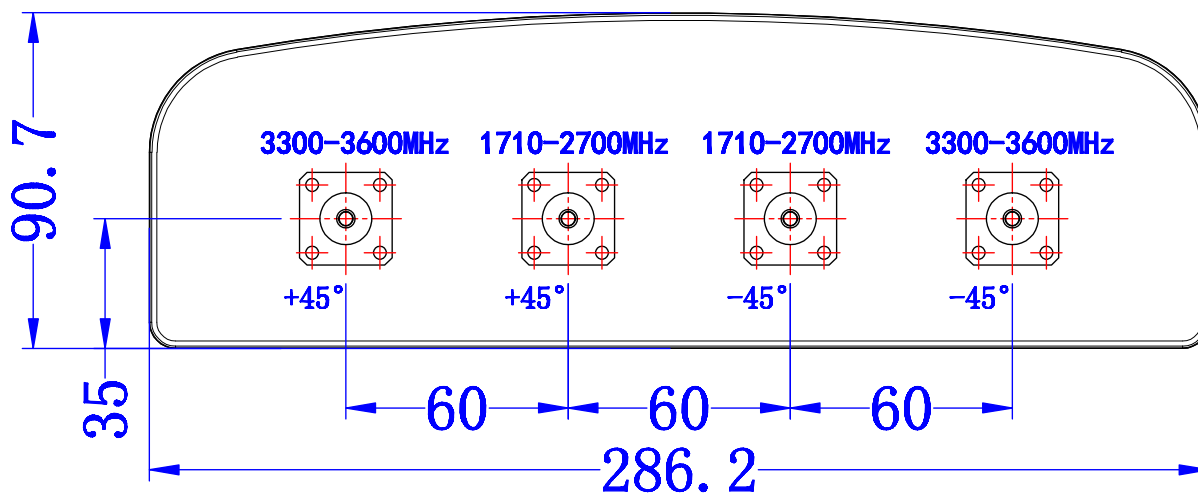
Click the following link (or enter part number in "SEARCH" on website) to obtain additional part information including price, inventory and certifications:
[1.71 to 2.7 GHz, 3.3 to 3.6 GHz, 4-port WISP Panel Antenna, 13 and 14 dBi, 33-degree, 4 N-type female, +/- 45 dual Polarization KP-23SX4-40](#)

1.71 to 2.7 GHz, 3.3 to 3.6 GHz, 4-port WISP
 Panel Antenna, 13 and 14 dBi, 33-degree,
 4 N-type female, +/- 45 dual Polarization

KP-23SX4-40



KP-23SX4-40



Unit:mm

Click the following link (or enter part number in "SEARCH" on website) to obtain additional part information including price, inventory and certifications:
[1.71 to 2.7 GHz, 3.3 to 3.6 GHz, 4-port WISP Panel Antenna, 13 and 14 dBi, 33-degree, 4 N-type female, +/- 45 dual Polarization KP-23SX4-40](#)

1.71 to 2.7 GHz, 3.3 to 3.6 GHz, 4-port WISP
Panel Antenna, 13 and 14 dBi, 33-degree,
4 N-type female, +/- 45 dual Polarization

KP-23SX4-40



Appendix

Electrical Downtilt: Angle in the antenna's elevation pattern in which the maximum gain occurs.

Gain: Antenna's average gain.

Front to Back Ratio @ 180°±30°: Average difference between the antenna's maximum gain and the maximum gain in the antenna's back lobe over ±30° angles.

Cross-polarization Ratio (dB): Typical difference between the co-polarization and cross-polarization gain across the sector's 3 dB Beam Width.

Dedicated to serving the needs of the Wireless Internet Service Provider (WISP) market, KP Performance Antennas offers purpose built products that reliably perform in the field. KP Performance Antennas product line consists of Yagi, Grid, Omni, Dish and other style antennas that operate in the 900 MHz, 2.4 GHz, 3 GHz, and 5 GHz frequencies.

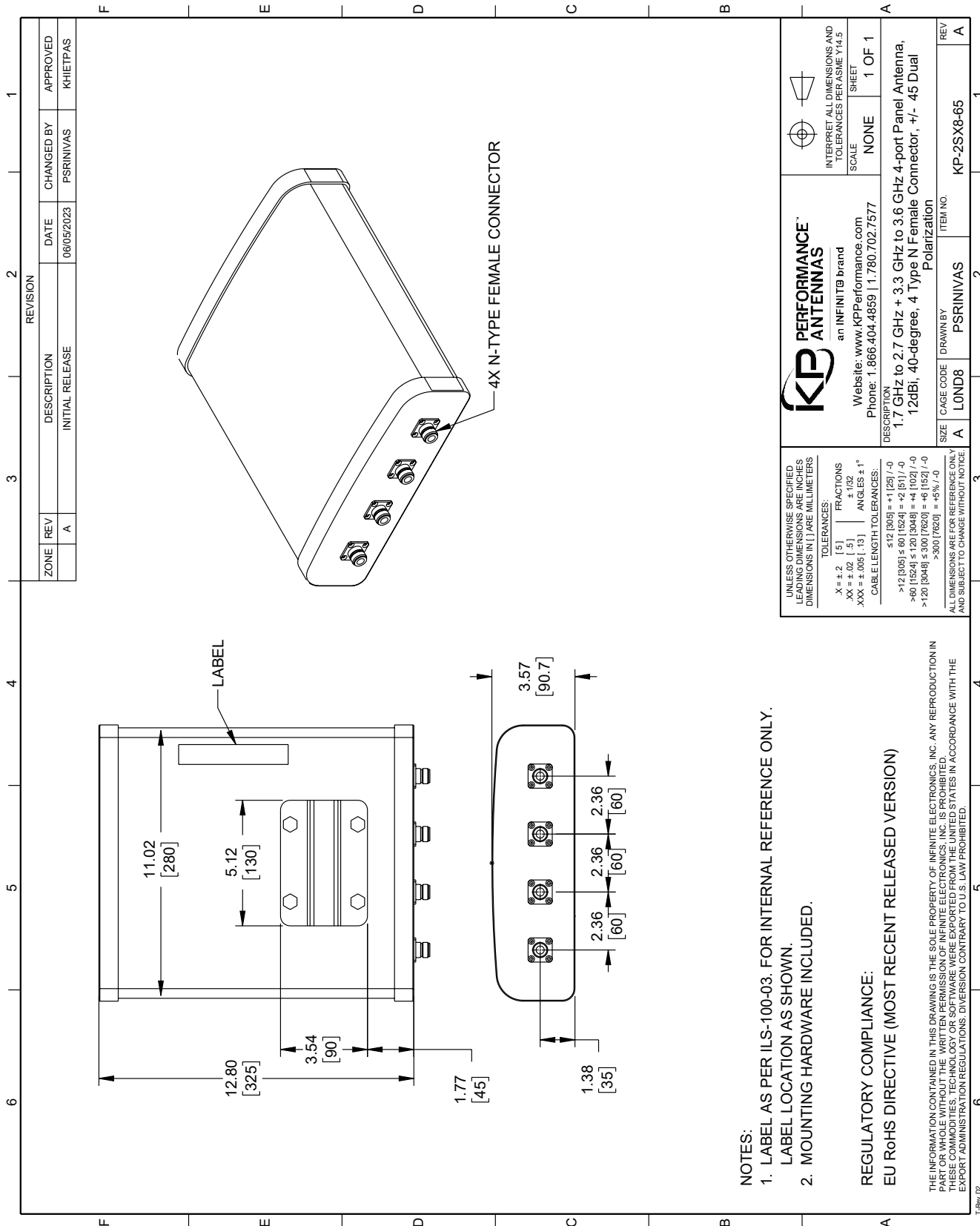
Click the following link (or enter part number in "SEARCH" on website) to obtain additional part information including price, inventory and certifications: [1.71 to 2.7 GHz, 3.3 to 3.6 GHz, 4-port WISP Panel Antenna, 13 and 14 dBi, 33-degree, 4 N-type female, +/- 45 dual Polarization KP-23SX4-40](https://www.kpperformance.com/1.71-to-2.7-ghz-3.3-to-3.6-ghz-4-port-wisp-panel-antenna-13-and-14-dbi-33-degree-4-n-type-female-45-dual-polarization-kp-23sx4-40)

URL: <https://www.kpperformance.com/1.7-ghz-to-2.7-ghz-3.3-ghz-to-3.6-ghz-4-port-wisp-panel-antenna-12-dbi-40-degree-4-n-type-female-connector-45-dual-polarization-kp-23sx4-40-p.aspx>

The information contained within this document is accurate to the best of our knowledge and representative of the part described herein. It may be necessary to make modifications to the part and/or the documentation of the part in order to implement improvements. KP Performance reserves the right to make such changes as required. Unless otherwise stated, all specifications are nominal. KP Performance does not make any representation or warranty regarding the suitability of the part described herein for any particular purpose, and KP Performance does not assume liability arising out of the use of any part or document.

1.71 to 2.7 GHz, 3.3 to 3.6 GHz, 4-port WISP Panel Antenna, 13 and 14 dBi, 33-degree, 4 N-type female, +/- 45 dual Polarization

KP-23SX4-40 CAD Drawing



ZONE		REVISION		DATE		CHANGED BY		APPROVED	
	REV	DESCRIPTION	DATE	CHANGED BY	APPROVED				
	A	INITIAL RELEASE	06/05/2023	PSRINIVAS	KHIETPAS				

KP PERFORMANCE ANTENNAS
an INFINITIB brand
Website: www.kpperformance.com
Phone: 1.866.404.4859 | 1.780.702.7577

INTERPRET ALL DIMENSIONS AND TOLERANCES PER ASME Y14.5
SCALE NONE
SHEET 1 OF 1

DESCRIPTION: 1.7 GHz to 2.7 GHz + 3.3 GHz to 3.6 GHz 4-port Panel Antenna, 12dBi, 40-degree, 4 Type N Female Connector, +/- 45 Dual Polarization

SIZE: A LON88
DRAWN BY: PSRINIVAS
ITEM NO.: KP-23SX8-66

REV: A

UNLESS OTHERWISE SPECIFIED, LEADING DIMENSIONS ARE IN INCHES DIMENSIONS IN [] ARE MILLIMETERS

TOLERANCES:
X = +.2 [5] FRACTIONS
XX = +.02 [5] ANGLES ± 1°
XXX = ±.005 [13]

CABLE LENGTH TOLERANCES:
≤ 12 [305] ± .001 [25] / -0
> 12 [305] ± .001 [25] / -0
> 60 [1524] ± .001 [25] / -0
> 120 [3048] ± .001 [25] / -0
> 300 [7620] ± .001 [25] / -0

ALL DIMENSIONS ARE FOR REFERENCE ONLY AND SUBJECT TO CHANGE WITHOUT NOTICE

NOTES:
1. LABEL AS PER ILS-100-03. FOR INTERNAL REFERENCE ONLY. LABEL LOCATION AS SHOWN.
2. MOUNTING HARDWARE INCLUDED.

REGULATORY COMPLIANCE:
EU ROHS DIRECTIVE (MOST RECENT RELEASED VERSION)

THE INFORMATION CONTAINED IN THIS DRAWING IS THE SOLE PROPERTY OF INFINITE ELECTRONICS, INC. ANY REPRODUCTION IN PART OR WHOLE WITHOUT THE WRITTEN PERMISSION OF INFINITE ELECTRONICS, INC. IS PROHIBITED. THESE COMMODITIES, TECHNOLOGY OR SOFTWARE WERE EXPORTED FROM THE UNITED STATES IN ACCORDANCE WITH THE EXPORT ADMINISTRATION REGULATIONS. DIVERSION CONTRARY TO U.S. LAW PROHIBITED.